

A2.1

LCD DRIVER
DV 16230 FBL/Y

Vdd	GND	Vee	RS	R/W	E	DB0	DB1	DB2	DB3	DB4	DB5	DB6	DB7	LIGHT-	LIGHT+
1	2	3	4	5	6	7	8	9	10	11	12	13	14	15	16

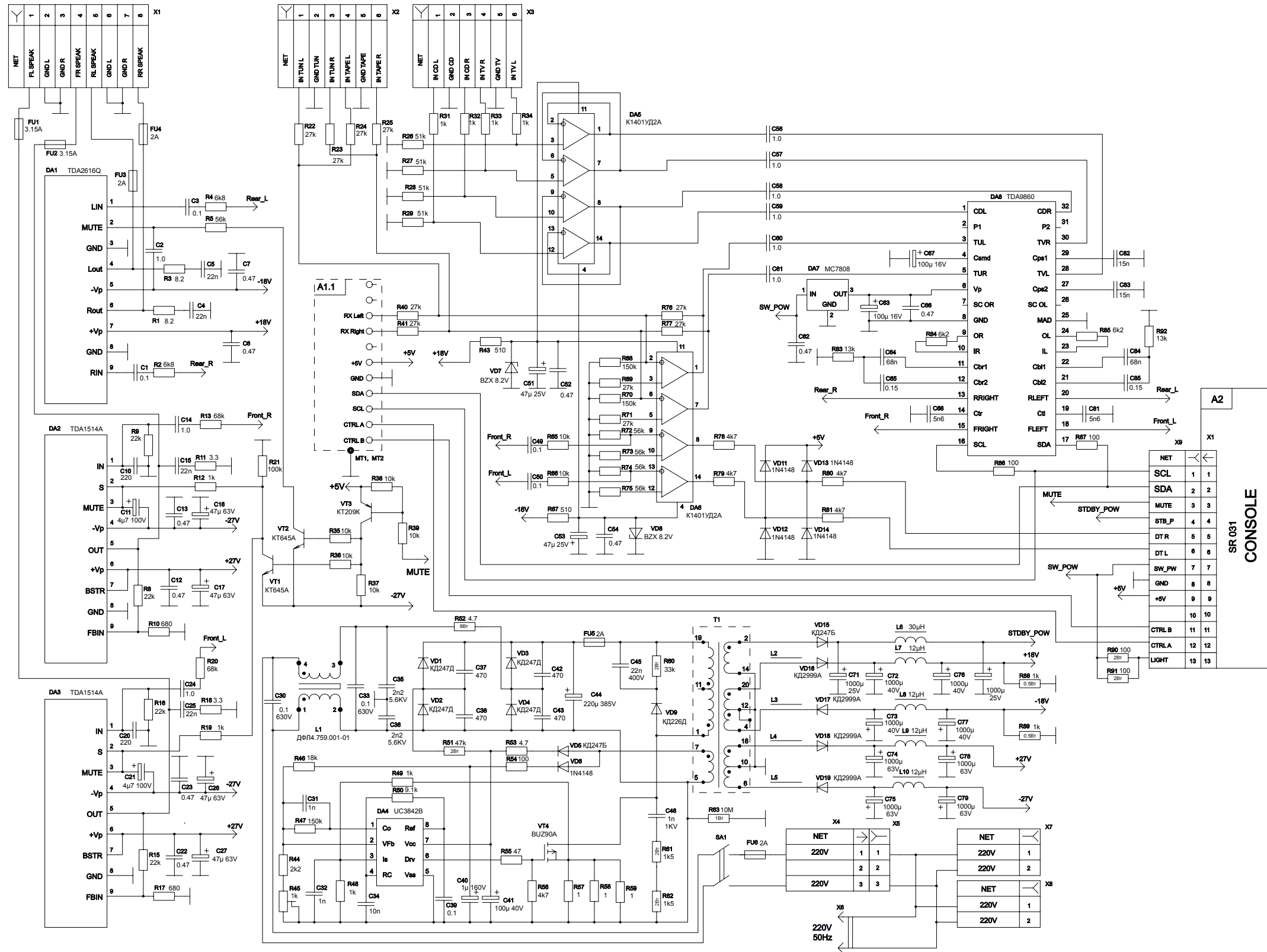
"Contrast"

"POWER"

"TUNER"

"CD"

"TV"



**SR 031
CONSOLE**

NET	1	1
SCL	1	1
SDA	2	2
MUTE	3	3
STBY_POW	4	4
DT R	5	5
DT L	6	6
SW_POW	7	7
GND	8	8
+5V	9	9
	10	10
CTRL B	11	11
CTRLA	12	12
LIGHT	13	13